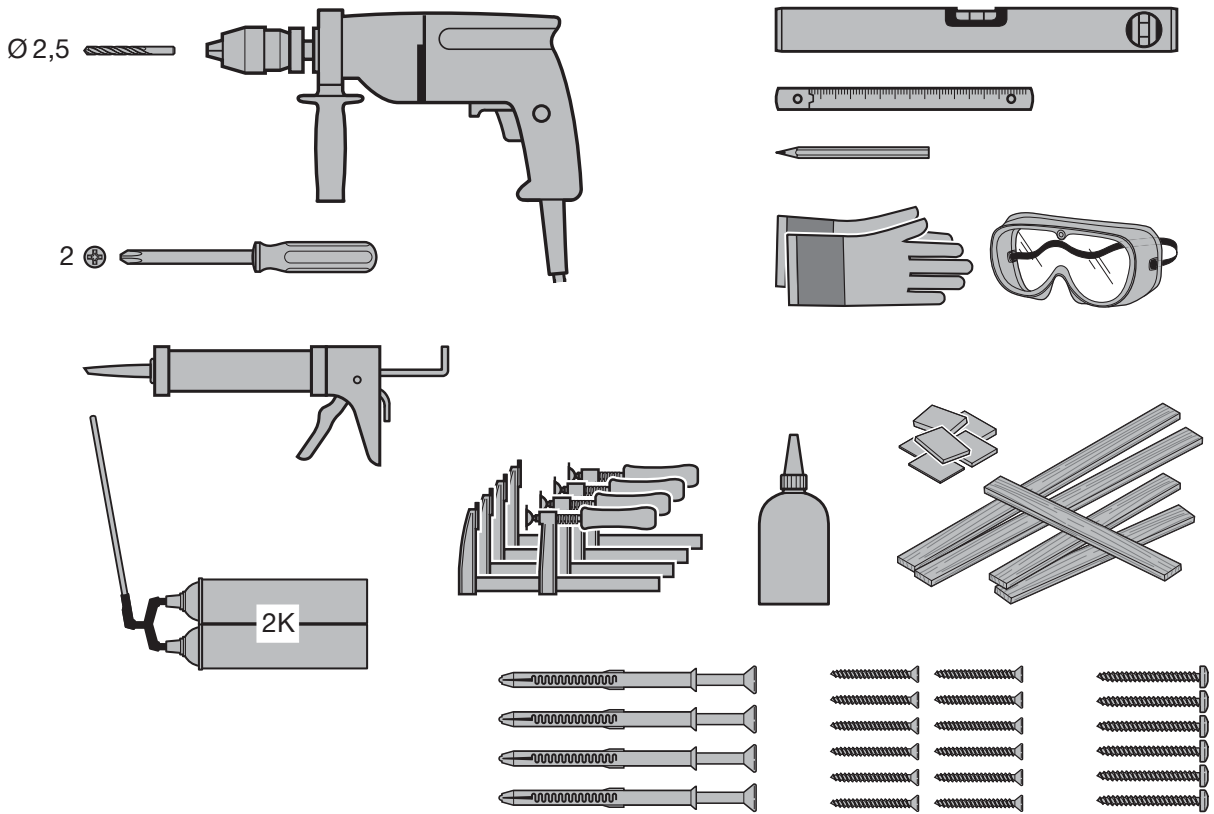
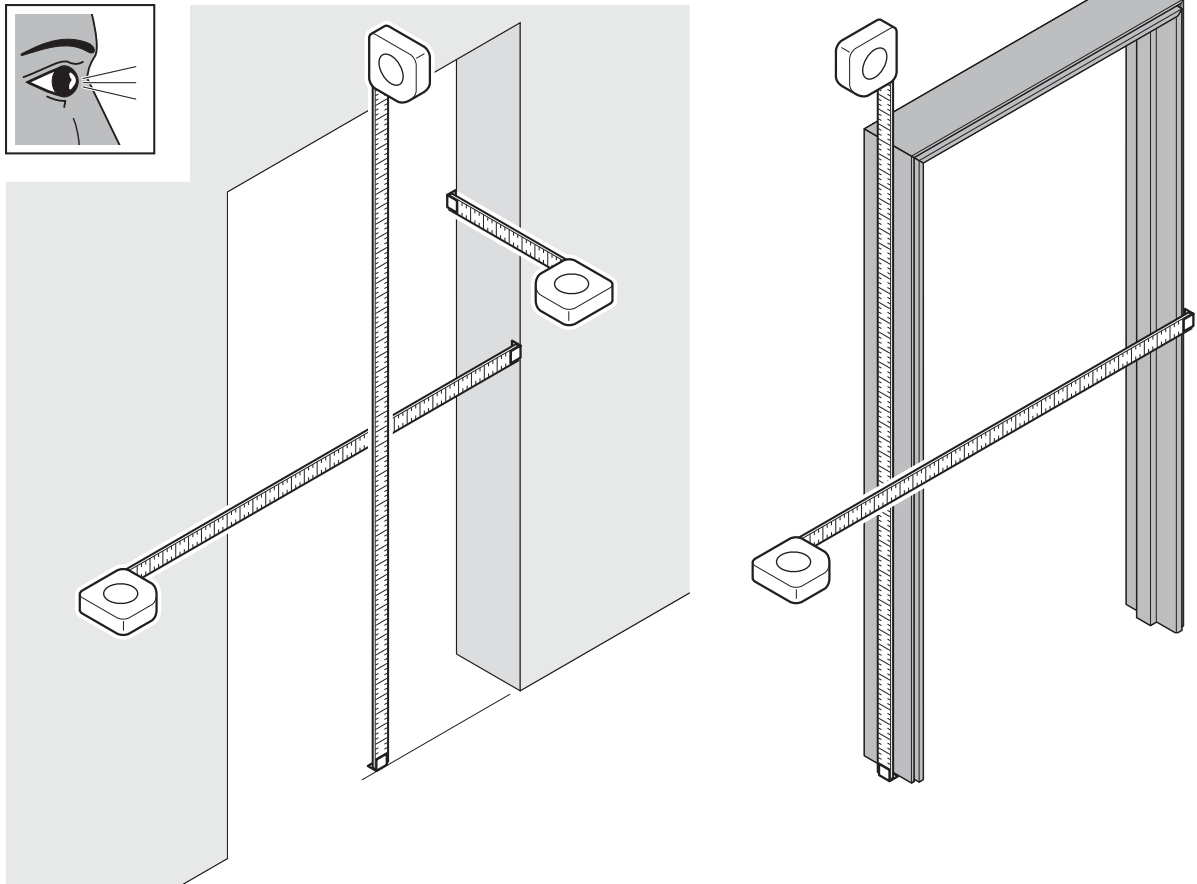
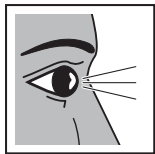


# A

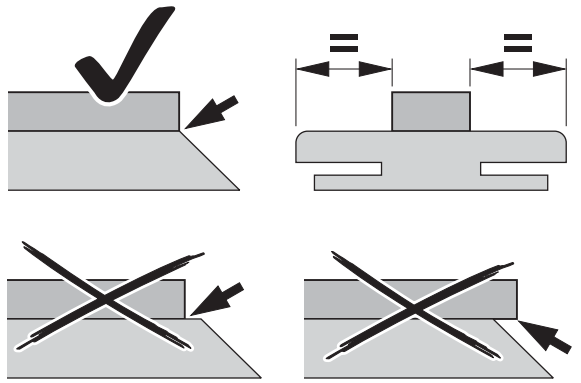
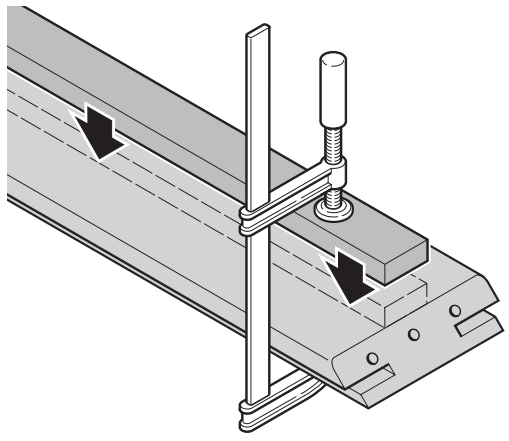
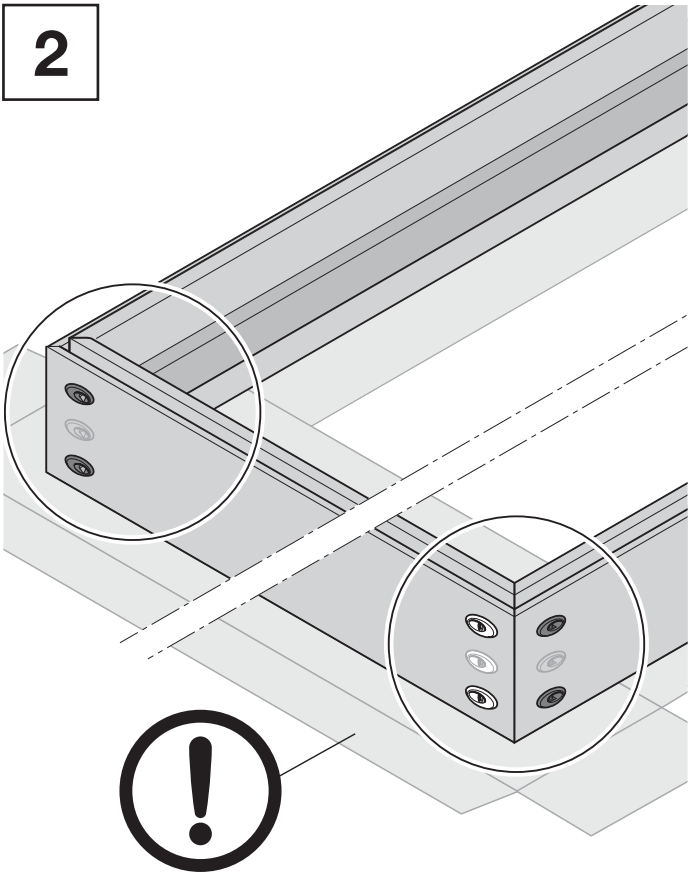


## 1

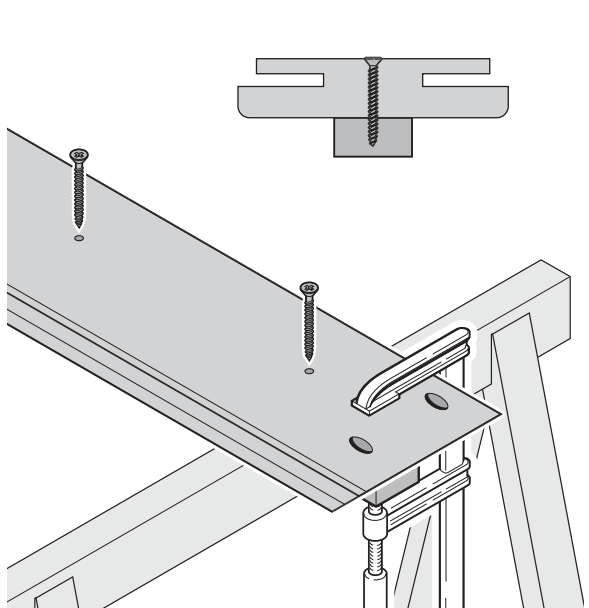
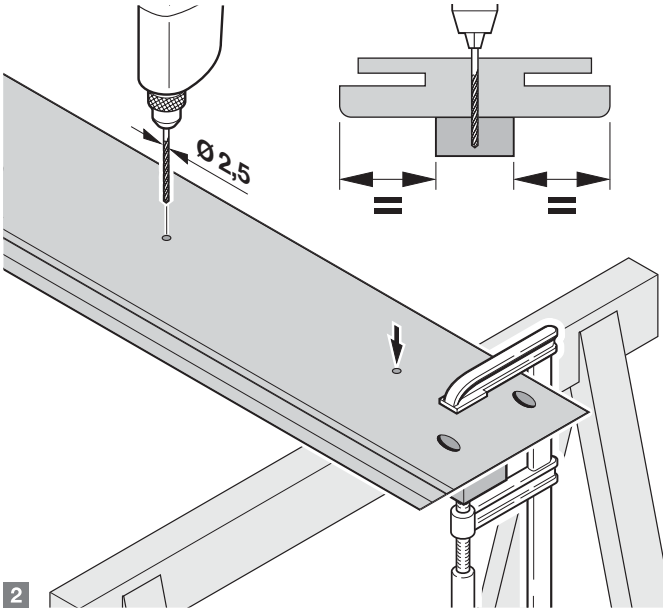
2/3



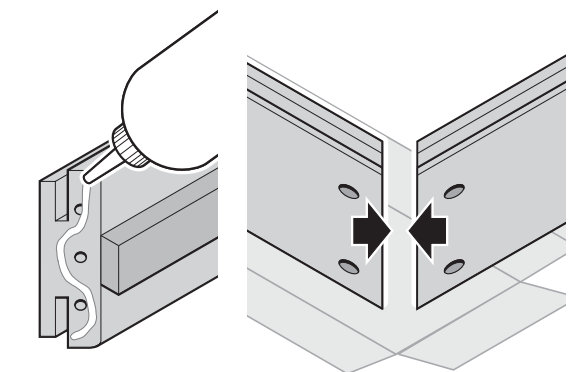
2



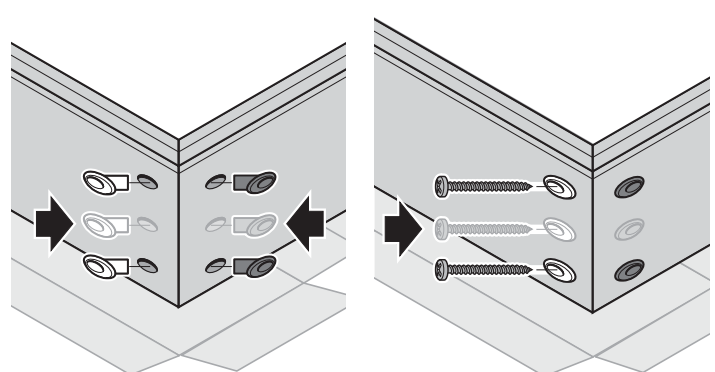
1



2



3



4

